



APPLICANT'S GUIDE FOR:
ARTIFICIAL/SYNTHETIC TURF
FOR SINGLE-FAMILY HOMES

The City of Cypress's Artificial/Synthetic Turf Permit expands the residential landscape options beyond plants and live turf to incorporate Artificial/Synthetic turf and encourage drought-tolerant plants. Using artificial/synthetic turf can reduce water, green waste, and harmful pesticide use; while homeowners receive all the benefits of a beautiful yard year-round without the costs associated with the routine maintenance of live grass, and helps in saving money and protecting the environment. Further information and instructions on the City of Cypress's artificial/synthetic turf permit are listed below.

Complying with Artificial/Synthetic Turf Standards.

Artificial/Synthetic Turf shall meet the following requirements:

- a. Artificial/synthetic turf shall have polyethylene monofilament fiber with a minimum grass zone pile height of 1.5 inches.
- b. A minimum face weight of 45 ounces per square yard of unfilled artificial/synthetic turf.
- c. Artificial/synthetic turf installations requiring infill materials shall use infill of the silica sand variety. Rubber infill made from old tires is not acceptable for use as infill for artificial/synthetic turf.
- d. All electric, water, gas and irrigation lines and conduits shall be run outside the perimeter of an artificial/synthetic turf installation with the exception of those that provide direct service to the residence.
- e. An appropriate solid barrier device (i.e. concrete mow strip) is required to separate artificial/synthetic turf from soil and live vegetation.
- f. Artificial/synthetic turf shall be lead free.
- g. Artificial/synthetic turf shall be trimmed to fit against all regular and irregular edges to resemble a natural look.
- h. Artificial/synthetic turf shall be designed to allow water to percolate through the synthetic grass at a minimum drain rate of 30 inches per hour to an adequate drainage system installed underneath the artificial/synthetic turf to prevent run-off, pooling, and flooding.
- i. All artificial/synthetic turf shall have a warranty that protects against color fading and a decrease in pile height.

- j. A minimum eight (8) year manufacturer's warranty is required for an installation certified by the manufacturer.

Step One: Fill out the Artificial/Synthetic Turf Permit Application.

An artificial turf permit application is required prior to the installation. A completed application should include the following items:

1. One copy of a landscape plan drawn to scale (refer to the Project Plan Requirements supplement).
2. A sample of the artificial/synthetic turf material, infill material, and rodent control mesh material (refer to the Project Plan Requirements supplement).
3. Installation Details and Warranty Information.
4. Material Specifications (i.e. face weight, pile height, composition, etc.).
5. Photographs of the Site.

Helpful Tips:

- *Make sure all proper paperwork and requirements are completed and provided.*
- *Make sure all proper signatures are on the application.*

Step Two: Provide a Basic Landscape Plan.

One copy of a landscape plan drawn to scale should indicate the following:

- a. Scale and north arrow.
- b. Boundaries/property lines of subject property, streets and easements.
- c. A cross section detail that shows the installation method and identifies the amount and type of materials used.
- d. A basic materials and plant legend.
- e. A planting plan (listing the artificial/synthetic turf and plant materials by botanical or common name, quantity of materials, size of materials at planting, and existing trees.)
- f. Identify the percentages of the front yard that is artificial/synthetic turf, hardscape, and live plant materials.

Step Three: Submit the application and three copies of the landscape plan

Bring in your application, three copies of the landscape plan (refer to Project Plan Requirements supplement) and the applicable fees to the City of Cypress Planning Division at:

Cypress City Hall
5275 Orange Avenue
Cypress, CA 90630

Step Four: Administrative Review and Approval.

The Planning Division will review your application and additional materials and will either return the plans to you for corrections or approve the plans over the counter. If the City denies the application, the Applicant may appeal to the Director of Community Development. When the Planning Division staff gives your landscaping plans a stamp of approval, you may proceed and begin installation immediately.

For More Information Contact:

Cypress Planning Division
(714) 229-6720



ARTIFICIAL/SYNTHETIC TURF PERMIT

CITY OF CYPRESS

5275 ORANGE AVENUE • CYPRESS, CA 90630
(714) 229-6720

Property Address: _____

Permit No. _____

Applicant Information:

Applicant Name:	Phone:	E-Mail Address:	
Address:	City:	State:	Zip:

Property Owner Information:

Property Owner Name:	Phone:	E-Mail Address:	
Address:	City:	State:	Zip:

Section 1: Turf Information

Turf Manufacturer	Material:	Pile Height:
Infill Type (if used):	Is the artificial/synthetic turf lead free?	Face Weight:
Will this be self-installation?*	Manufacturer's Warranty:	Rodent Control Mesh Type

*If not, please fill out the information below. If answered yes, skip section 2.

Section 2: Installation Information

Installation Company Name:	Office Phone:	E-Mail:	
Address:	City:	State:	Zip:
Manufacturer's/Installers Warranty:	Date of Installation:	Square Footage of Turf Installed	

City Use Only:

Date Received:	
Approval <input type="checkbox"/> Denial <input type="checkbox"/> By:	Date:
Comments/Conditions:	
Sample Materials Received:	Turf <input type="checkbox"/> Rodent Screen <input type="checkbox"/>

-Application Continued on Next Page

Section 3: Landscape Plan

In the box provided below, or on an attached separate sheet, please provide the following items:

- 1. The property boundaries including the adjacent street name*
- 2. The proposed area for turf installation and areas of live plants.*
- 3. Photos of the proposed area for turf installation.*

I HEREBY CERTIFY that all of the applicable items required in this application are to the best of my knowledge and belief true and correctly represented. I understand that failure to submit all applicable information may be cause for denial of the application.

Date_____

Print Name of Applicant

Applicant Signature

Owner hereby agrees that the turf material and installation material will not become a tripping hazard or become weathered in appearance. Materials shall be replaced prior to the above listed conditions occurring. Replacement material shall be approved by the City prior to installation.

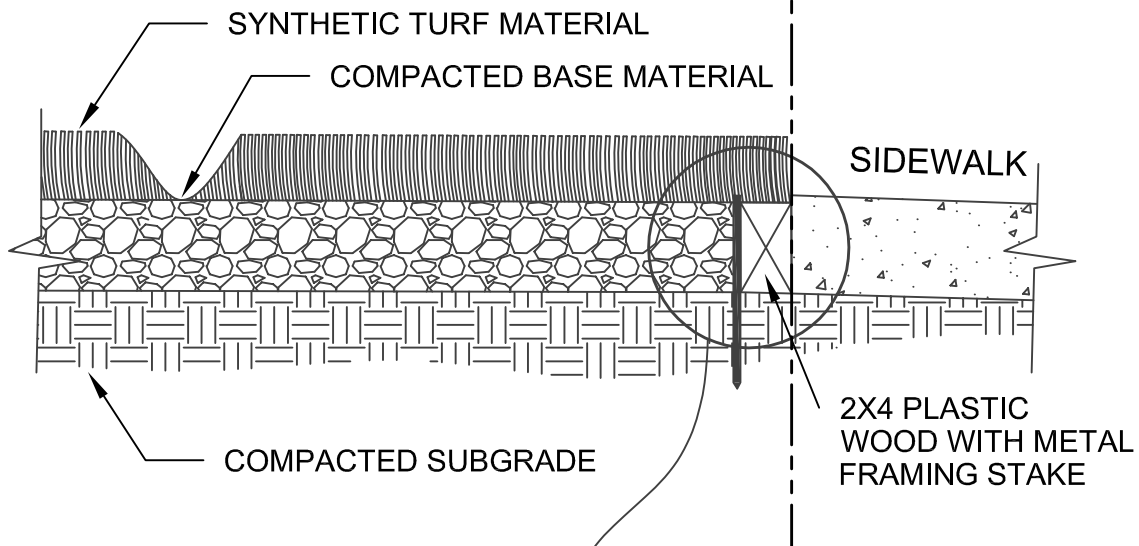
Print Name of Property Owner

Property Owner Signature

****If you have any questions feel free to contact the community Development Department at (714) 229-6720.**

← PRIVATE

PUBLIC →



STAINLESS STEEL SCREWS WITH STAINLESS COUNTERSUNK WASHERS @ 6" O.C. MAX AND STAPLES @ 2" O.C. MAX

SYNTHETIC TURF

SIDEWALK

1" BASE

DIM. DEPENDS ON PRODUCT AND IF CRUMB FILL IS REQUIRED. IT SHALL BE FLUSH WITH NO TRIPPING HAZARDS.

PLASTIC WOOD

COMPACTED SUBGRADE

HOT DIPPED GALVANIZED 8D NAILS

12" METAL FRAMING STAKE

SYNTHETIC TURF MINIMUM SPEC.:

- MINIMUM THREE COLORS FOR MATERIAL
- TWO COLORS FOR BLADES, PLUS DIFFERENT COLOR FOR THATCH
- BACKING MATERIAL MUST HAVE DRAIN HOLES MAXIMUM 6" O.C.
- MINIMUM 8 YEAR WARRANTY FOR TURF AND INSTALLATION
- MINIMUM 45oz MATERIAL.
- ALL INSTALLATIONS WILL REQUIRE THE SUBMITTAL OF A MESH MATERIAL FOR USE AS RODENT CONTROL

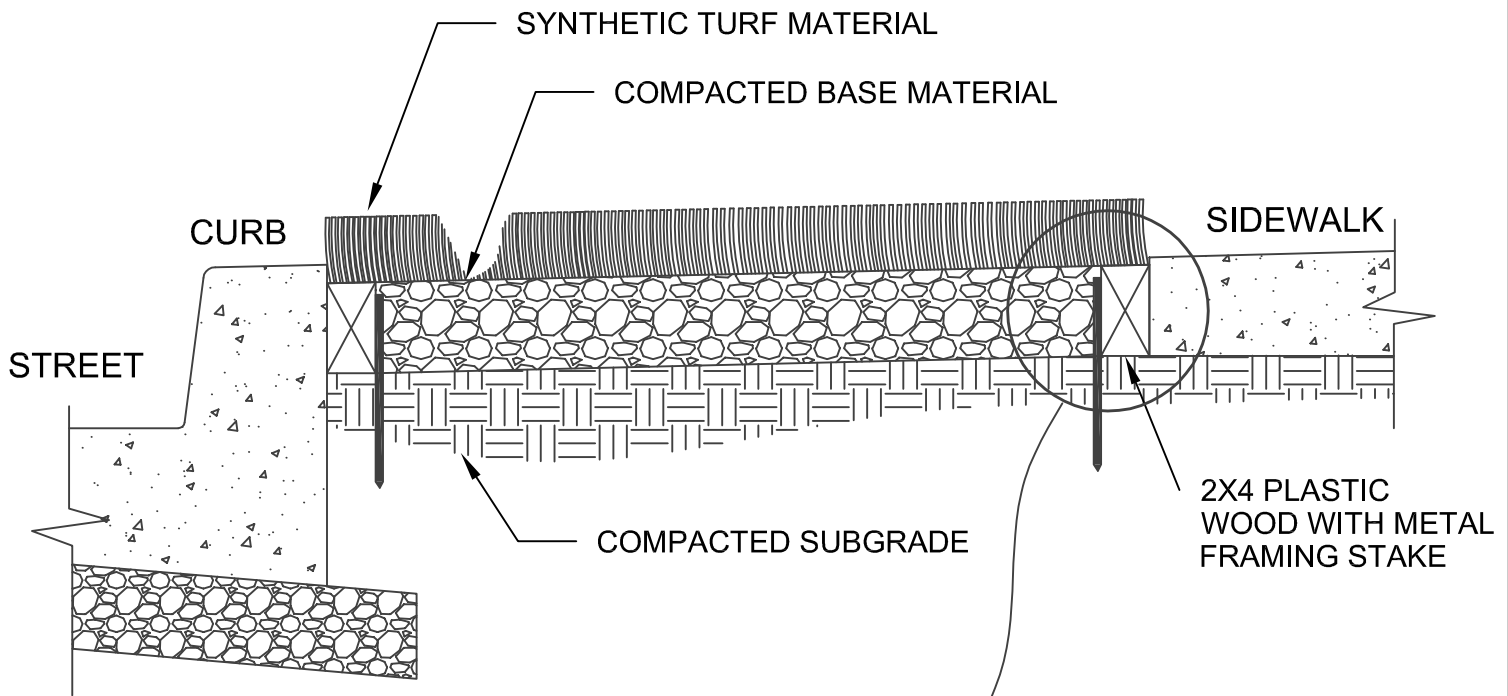
NOTE: OWNER SHALL GUARANTEE THAT THE TURF MATERIAL AND INSTALLATION MATERIAL WILL NOT BECOME A TRIPPING HAZARD OR BECOME WEATHERED IN APPEARANCE. MATERIAL SHALL BE REPLACED PRIOR TO THOSE CONDITIONS OCCURRING. REPLACEMENT MATERIAL AND INSTALLATION METHODS THERE OF SHALL BE APPROVED IN ADVANCE. INSPECTION REQUIRED DURING AND AFTER INSTALLATION.

SYNTHETIC TURF INSTALLATION - PRIVATE

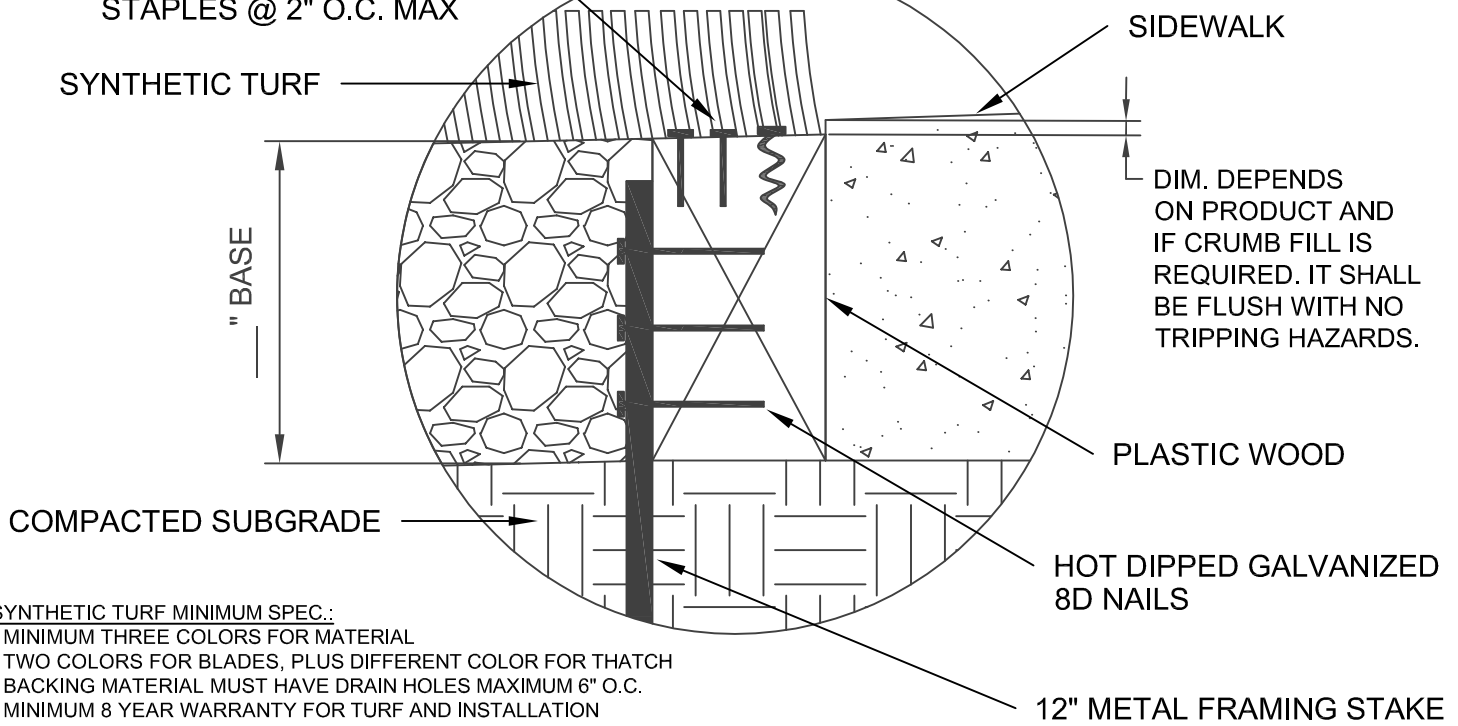
SCALE: N.T.S.

DATE: AUGUST 2014

ATTACHMENT: A



STAINLESS STEEL SCREWS WITH STAINLESS COUNTERSUNK WASHERS @ 6" O.C. MAX AND STAPLES @ 2" O.C. MAX



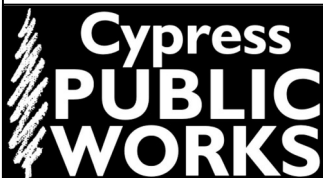
DIM. DEPENDS ON PRODUCT AND IF CRUMB FILL IS REQUIRED. IT SHALL BE FLUSH WITH NO TRIPPING HAZARDS.

SYNTHETIC TURF MINIMUM SPEC.:

- MINIMUM THREE COLORS FOR MATERIAL
- TWO COLORS FOR BLADES, PLUS DIFFERENT COLOR FOR THATCH
- BACKING MATERIAL MUST HAVE DRAIN HOLES MAXIMUM 6" O.C.
- MINIMUM 8 YEAR WARRANTY FOR TURF AND INSTALLATION
- MINIMUM 45oz MATERIAL.
- ALL INSTALLATIONS WILL REQUIRE THE SUBMITTAL OF A MESH MATERIAL FOR USE AS RODENT CONTROL

NOTE: OWNER SHALL GUARANTEE THAT THE TURF MATERIAL AND INSTALLATION MATERIAL WILL NOT BECOME A TRIPPING HAZARD OR BECOME WEATHERED IN APPEARANCE. MATERIAL SHALL BE REPLACED PRIOR TO THOSE CONDITIONS OCCURRING. REPLACEMENT MATERIAL AND INSTALLATION METHODS THERE OF SHALL BE APPROVED IN ADVANCE. INSPECTION REQUIRED DURING AND AFTER INSTALLATION.

APPROVED BY:	
_____ ASSISTANT CITY ENGINEER	
DRAWN BY: HN	CHECKED BY: NM



SYNTHETIC TURF INSTALLATION - PARKWAY

SCALE: N.T.S.

DATE: AUGUST 2014

ATTACHMENT: A