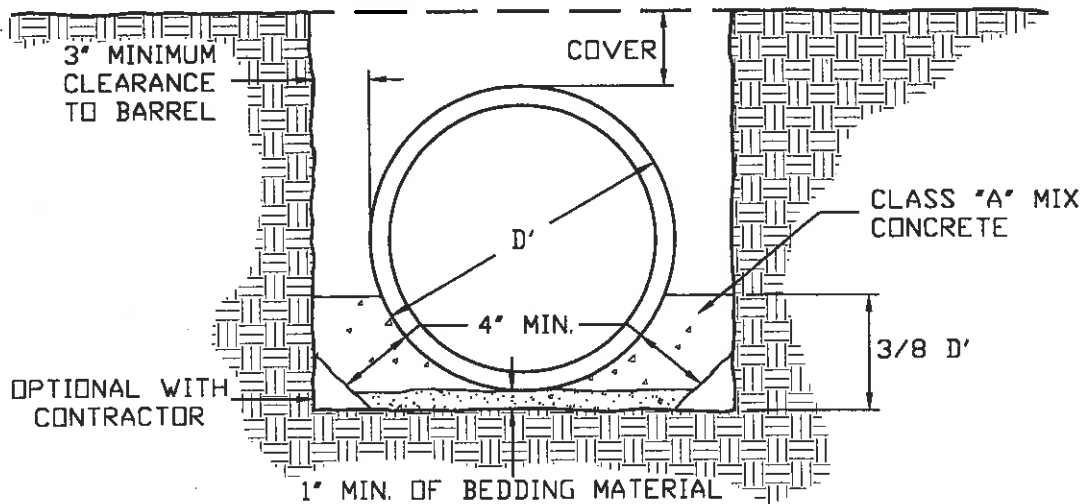


CASE I

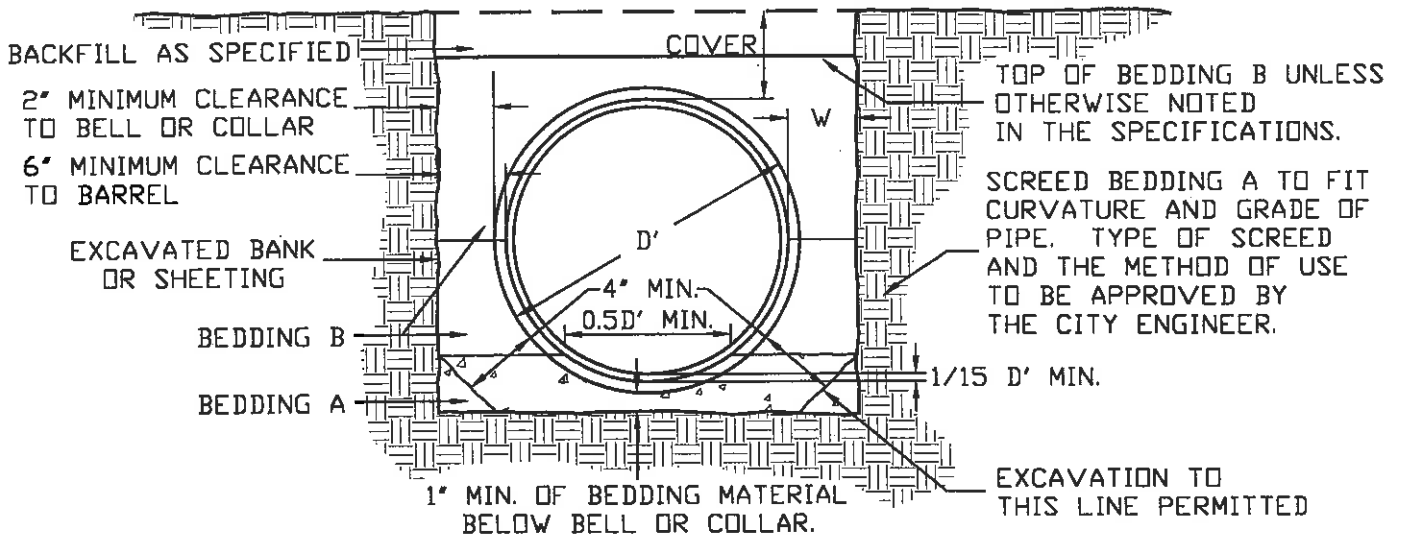


I. CASE I BEDDING (LOAD FACTOR 2.1)

SHALL BE USED WHERE SPECIFIED ON PLANS OR WHERE REQUIRED AS AN ALTERNATIVE TO CASE II OR CASE III BEDDING AS PROVIDED HEREON. CASE IV BEDDING SHALL BE USED INSTEAD OF CASE I AGAINST SHEETING OR UNSTABLE TRENCH SIDES IF SO REQUIRED BY THE CITY ENGINEER.

CASE II

VITRIFIED CLAY AND PLAIN CONCRETE PIPE



I. CASE II BEDDING & BACKFILL AROUND PIPE (LOAD FACTOR 1.8)

- (a) "W" AT SPRINGING LINE SHALL NOT BE LESS THAN 6' FOR ANY DEPTH OF TRENCH. THIS DIMENSION MAY INCLUDE THE THICKNESS OF ANY SHEETING.
- (b) WHERE COVER IS 8' OR LESS, "W" MEASURED AT TOP OF PIPE MAY BE ANY DIMENSION GREATER THAN 6'.
- (c) WHERE COVER IS GREATER THAN 8', "W" MEASURED AT TOP OF PIPE SHALL NOT BE GREATER THAN 8' UNLESS THE CONTRACTOR AT HIS OWN EXPENSE PROVIDES CASE I BEDDING OR STRONGER PIPE. THE STATED 8' INCLUDES THE THICKNESS OF ANY SHEETING.

▲		
Rev.	Approved	Date

CITY OF CYPRESS

DEPARTMENT OF PUBLIC WORKS
ENGINEERING DIVISION

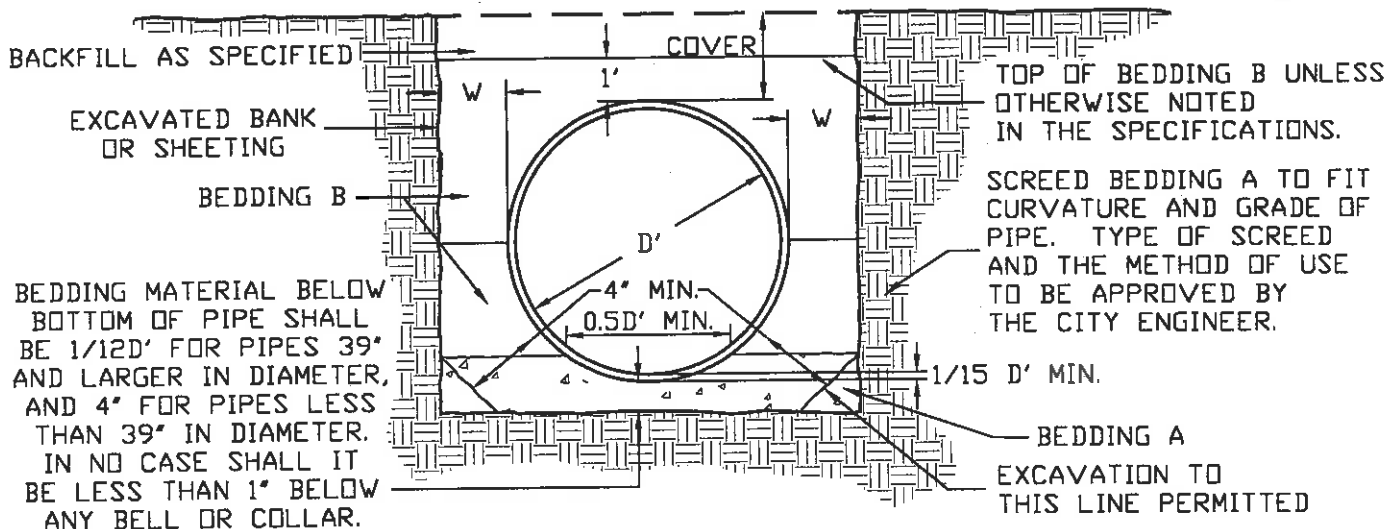
PIPE BEDDING IN TRENCHES

APR 12/13/99
Director of Public Works Date

STD. PLAN NO. **324**

SHEET 1 OF 3

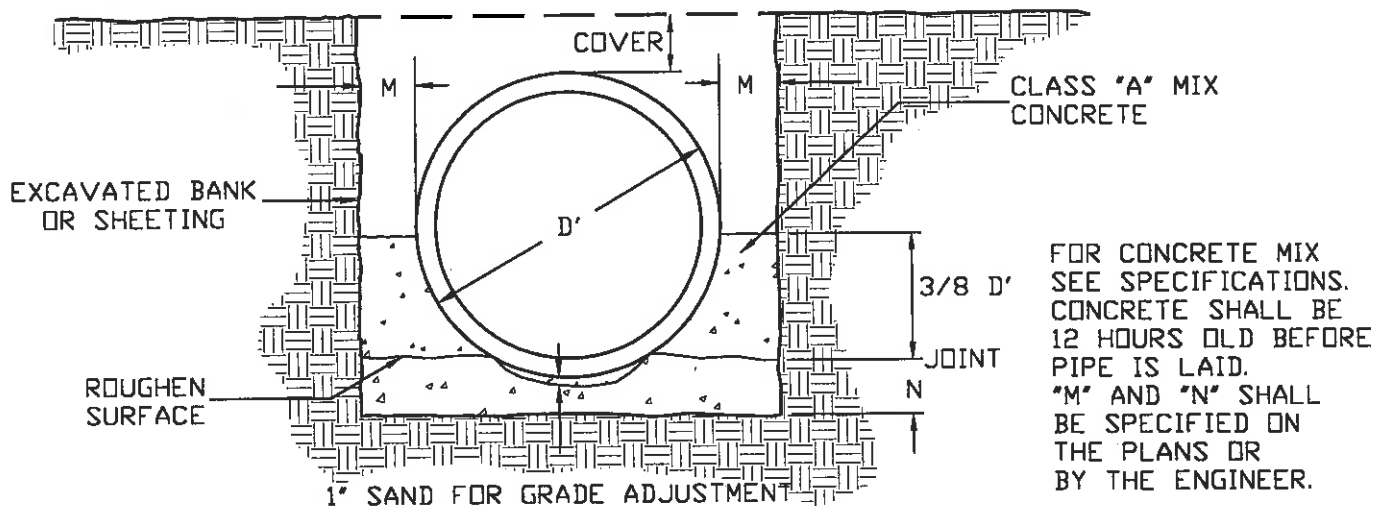
CASE III REINFORCED CONCRETE PIPE



3. CASE III BEDDING & BACKFILL AROUND PIPE (LOAD FACTOR 1.8)

- (a) "W" AT SPRINGING LINE SHALL NOT BE LESS THAN THE FOLLOWING:
6" FOR PIPE 60" OR LESS IN DIAMETER, 10" FOR PIPE 63" TO 96" INCLUSIVE IN DIAMETER, AND 12" FOR PIPE LARGER THAN 96" IN DIAMETER. THESE DIMENSIONS MAY INCLUDE THE THICKNESS OF ANY SHEETING.
- (b) WHERE COVER IS 10' OR LESS, "W" MEASURED AT TOP OF PIPE MAY BE ANY DIMENSION GREATER THAN THE ABOVE SPECIFIED MINIMUM, UNLESS OTHERWISE SPECIFIED BY THE CITY ENGINEER.
- (c) WHERE COVER IS GREATER THAN 10', "W" MEASURED AT THE TOP OF PIPE SHALL NOT BE GREATER THAN THE 10" FOR PIPE 96" IN DIAMETER OR LESS, OR 12" FOR PIPE OVER 96" IN DIAMETER UNLESS THE CONTRACTOR AT HIS OWN EXPENSE PROVIDES CASE I BEDDING OR STRONGER PIPE. THESE DIMENSIONS INCLUDE THE THICKNESS OF ANY SHEETING.

CASE IV



4. CASE IV BEDDING (LOAD FACTOR 3.0)

WHERE REQUIRED BY THE ENGINEER AS AN ALTERNATIVE TO CASE I OR CASE V TO MEET CONDITIONS ARISING DURING CONSTRUCTION.

▲		
Rev.	Approved	Date

CITY OF CYPRESS

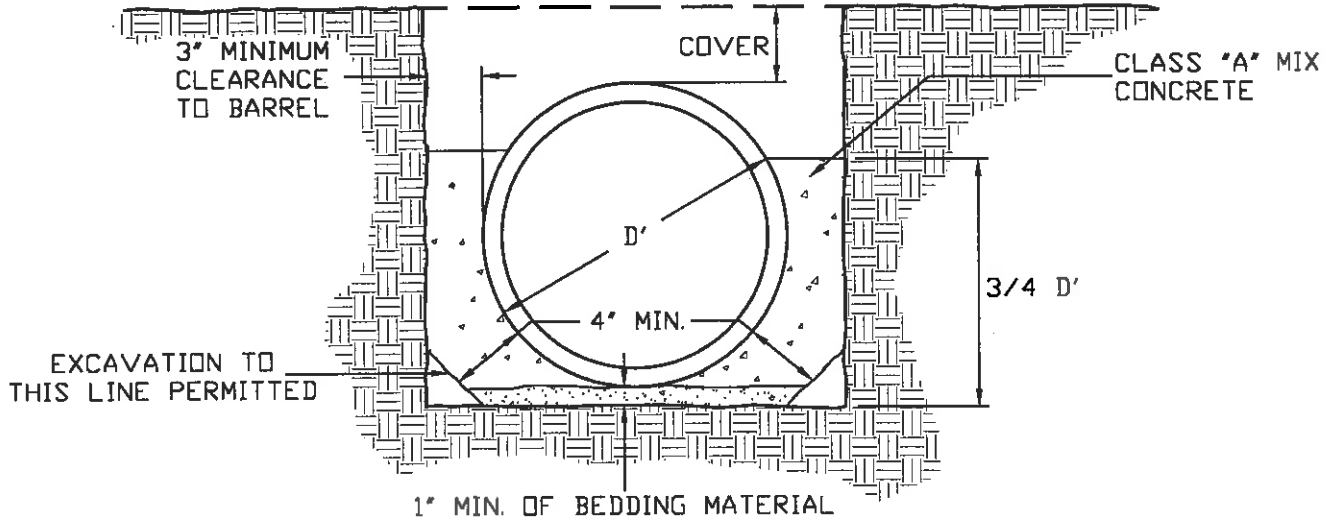
DEPARTMENT OF PUBLIC WORKS
ENGINEERING DIVISION

PIPE BEDDING IN TRENCHES

APP. 12/13/99
Director of Public Works Date

STD. PLAN NO. **324**

CASE V



5. CASE V BEDDING (LOAD FACTOR 2.7)

SHALL BE USED WHERE SPECIFIED ON PLANS. CASE IV BEDDING SHALL BE USED INSTEAD OF CASE V AGAINST SHEETING OR UNSTABLE TRENCH WALLS IF SO REQUIRED BY THE CITY ENGINEER.

GENERAL NOTES

1. USE CASE III FOR R.C.P. AND CASE II FOR VITRIFIED CLAY AND PLAIN CONCRETE PIPE UNLESS OTHERWISE SPECIFIED OR SHOWN ON THE PROJECT DRAWINGS.
2. BEDDING A SHALL BE COMPOSED OF SAND, NO. 3 OR NO. 4 CRUSHED ROCK OR GRAVEL, OR OTHER GRANULAR MATERIAL AS MAY BE SPECIFIED OR OTHERWISE APPROVED BY THE CITY ENGINEER. THE MAXIMUM SIZE ROCK OR GRAVEL SHALL BE NO. 3 FOR PIPE 27" IN DIAMETER AND LARGER, AND NO. 4 FOR PIPE SMALLER THAN 27" IN DIAMETER. BEDDING B SHALL BE COMPOSED OF SAND OR OTHER GRANULAR MATERIAL AS MAY BE SPECIFIED OR OTHERWISE APPROVED BY THE CITY ENGINEER AND SHALL BE COMPLETED PRIOR TO PLACING BALANCE OF BACKFILL.
3. CONCRETE BACKFILL WHERE SPECIFIED ON THE PROJECT DRAWINGS, SHALL BE CLASS "A" MIX CONCRETE POURED WALL TO WALL OF TRENCH FROM TOP OF BEDDING A TO A MINIMUM DEPTH OF 4" OVER TOP OF PIPE.
4. BEDDING B SHALL CONTAIN NO ROCKS LARGER THAN 4".
5. WHERE ROCKS ARE INCLUDED IN THE BEDDING, "NESTING" THEREOF WILL NOT BE PERMITTED.

▲		
Rev.	Approved	Date

CITY OF CYPRESS

DEPARTMENT OF PUBLIC WORKS
ENGINEERING DIVISION

PIPE BEDDING IN TRENCHES

APP. 12/15/99
Director of Public Works Date

STD. PLAN NO. **324**

SHEET 3 OF 3